



SM-302 LED Flood Light

Product Description

SM-302 LED Flood Lights are broad-beamed, high-intensity artificial lights. They are often used to illuminate outdoor playing fields while an outdoor sports event is being held during low-light conditions. The white beam of light produced by SM-302 LED Flood Lights is very much similar to daylight which makes it very easy to see and retrieve items. When used in stadiums, it makes the spectators feel as though it is day time. Also, SM-302 LED Flood Lights are impervious to temperature fluctuations and environmental conditions. Unlike some other lights, SM-302LED Flood Lights remain stable and functional even in freezing conditions. This makes them all the more ideal for cold warehouses and storage areas.

Being free of Mercury, Lead and Carbon Emissions, these lights do not give out any harmful emissions such as carbon. As a result, they are much more friendly to the environment and also to the health of people nearby. For these advantages of it, more and more SM-302 LED Flood Lights have been often used as a stage lighting instrument in live performances such as concerts and plays. In the top tiers of many professional sports, it is a requirement for stadiums to have floodlights to allow games to be scheduled outside daylight hours.

Features

1. Longevity

LED flood lights are very long lasting. As compared to standard bulbs, LEDs are known for their durability and long life. In an average, these bulbs last for up to 10 times longer than



incandescent, halogen or fluorescent lights.

2. Energy Friendly

LED flood lights eliminate the need for frequent bulb replacements. They also consume very little electricity. You can save as much as 80% on electricity costs by using an LED flood light. Overall, this is a highly energy-friendly alternative.

3. Less Heat Emission

LED flood lights do not emanate heat and conserve the maximum amount of electricity. Because they do not contribute to a rise in temperature, these lights are ideal for use in cold storage warehouses.

4. Low Maintenance and Replacement Costs

LED flood lights are tough, durable and long lasting. This saves the user a considerable amount of money, time and effort.

5. High on Safety

LED flood lights reduces the risk of electric and fire accidents for the absence of heat emanation and the absence of fragile filament.

6. Produce Bright White Light

The white beam of light produced by LED flood lights is very much similar to daylight. This makes it very easy to see and retrieve items. When used in stadiums, it makes the spectators feel as though it is day time.

7. Unaffected by Weather and Temperature Changes

LED flood lights are impervious to temperature fluctuations and environmental conditions.



Zhejiang Seming Electronic Co., Ltd

Unlike some other lights, LEDs remain stable and functional even in freezing conditions. This makes them all the more ideal for cold warehouses and storage areas.

8. Free of Mercury, Lead and Carbon Emissions

Mercury and lead are not used in the production of LED flood lights. These lights do not give out any harmful emissions such as carbon. As a result, they are much more friendly to the environment and also to the health of people nearby.

Detailed Parameters

Power	10W	30W	50W	100W	200W
Lamp	COB				
Input Voltage	AC90-260V 50/60Hz				
Light efficiency	85-95Lm/W				
Color Temperature	2700K 4500K 6000K				
CRI	≥ 75				
Power Factor	0.95				
Operating	$-35^{\circ}\text{C} \sim +60^{\circ}\text{C}$				

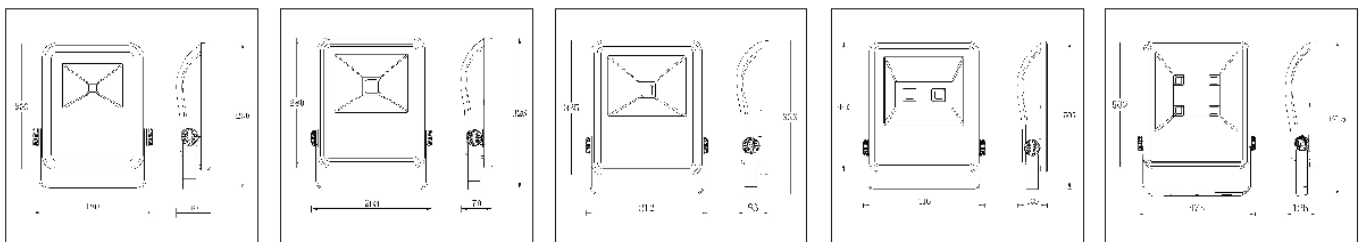
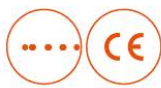
Address: Haicheng Road, Baiguan Industrial District, Shangyu Area, Shaoxing City, Zhejiang province, China; Tel: +861 8267537265, **WhatsApp: +8618267537265**; **Email: sales@seminglighting.com**



Zhejiang Seming Electronic Co., Ltd

temperature					
Packing	34*25.5*41	33.5*28.5*34.8	38.5*33.5*40.5	52.8*43.5*22.5	63*49*14.5
Pcs/Ctn	10	4	4	2	1
Volume	0.0355	0.333	0.0523	0.0517	0.448

Product Display



10W

30W

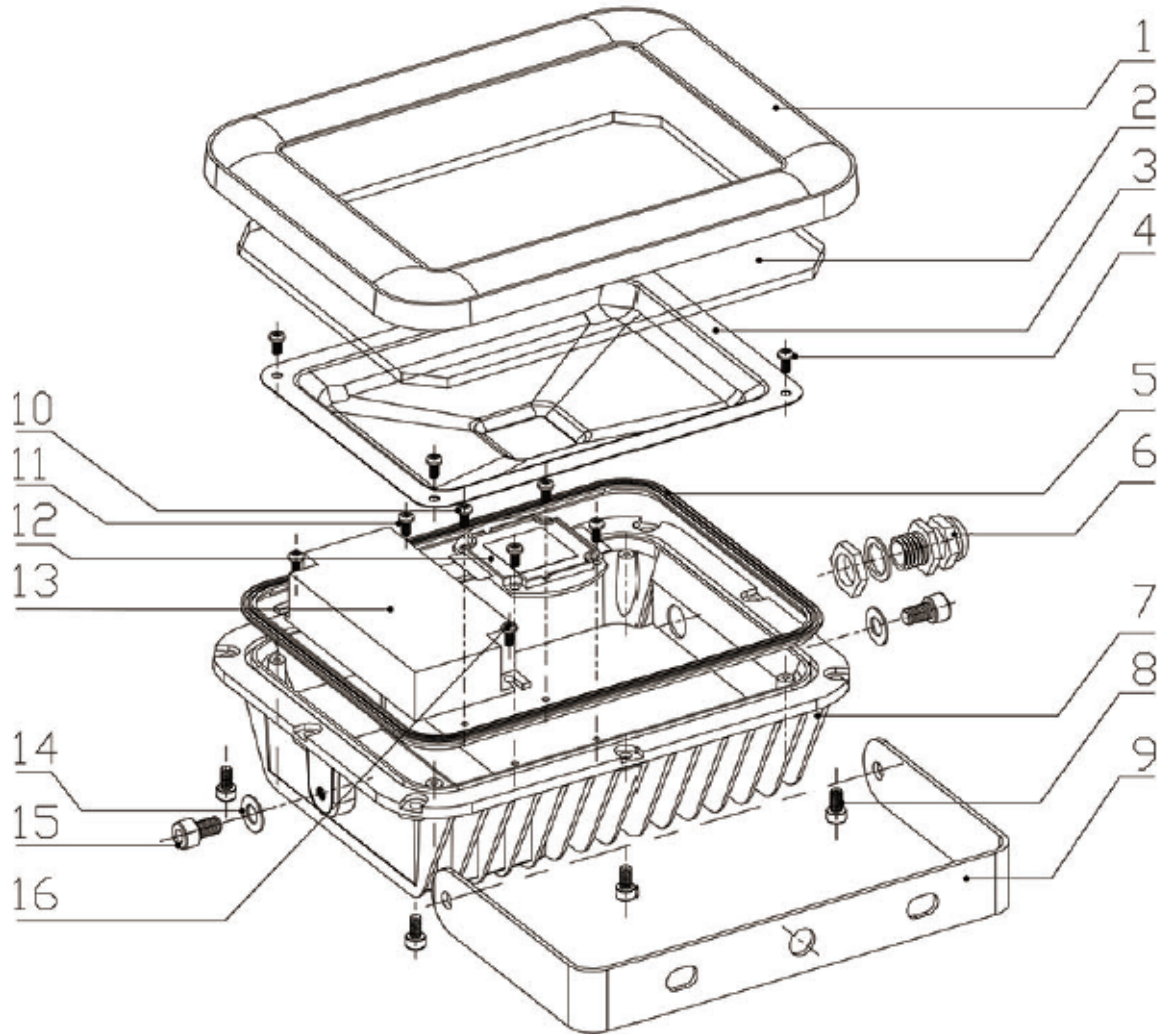
50W

100W

200W

Address: Haicheng Road, Baiguan Industrial District, Shangyu Area, Shaoxing City, Zhejiang province, China; Tel: +861 8267537265, **WhatsApp: +8618267537265**; **Email: sales@seminglighting.com**





1	Front Cover	9	Supporting structure
2	Glass	10	Cross recess head screw
3	Reflector	11	Cross recess head screw
4	cross recess head screw	12	LED chip
5	Gasket	13	LED driver
6	Waterproof joint	14	Flat washer
7	Body	15	Hex socket screw
8	Hex socket screw	16	Cross recess head screw