



SM-120 LED Street light

Product Description

SM-120 LED Street light delivers superior efficacy at different color temperatures and up to 70 CRI (Color Rendering Index) to meet a vast majority of roadway and street lighting applications. With the help of 70 CRI higher than many other lights, drivers can identify the different signs correctly and reduce the incidence of traffic accidents effectively. Also, SM-120 LED Street light achieves better light with enhanced visual comfort, reduced glare — all while using less energy compared to traditional lights. Since it, to lower electricity cost for the community became possible. Meanwhile, its lightweight design, and easy installation make SM-120 LED Street light a more an ideal solution for any contractor who are going on a LED Utility Luminaire project. By the way, we are able to supply single lamp shells if you just want to replace it with another one.

Features

1. High strength aluminum alloy die casting shell, impact level can reach IK09.
2. A full set of stainless steel fasteners, convenient installation, free maintenance.
3. Adopted quick plug type electrical connection in the design, maintenance more convenient and safe.
4. High performance patent optical lens, light transmittance was 95%, no glare.

Detailed Parameters

Address: Haicheng Road, Baiguan Industrial District, Shangyu Area, Shaoxing City, Zhejiang province, China; Tel: +861 8267537265, **WhatsApp: +8618267537265; Email: sales@seminglighting.com**



Zhejiang Seming Electronic Co., Ltd

Product Code	SM-120 LED Street light
Input Wattage	120W
Color Temperature	3000/4000/6500K
Luminous Flux	12600-14400 lm
Input Voltage	AC90-305V
Frequency Range	50/60Hz
Power Factor	PF \geq 0.95
CRI	Ra \geq 70
Temperature of Working Condition	-40°C--50°C
Humidity of Working Condition	20%--90%RH
LED Lifetime	50000H
Protection Grade	IP66
Installation Pipe Diameter	ϕ 60mm
Installation Height	10-12m
Net Weight	5.54Kg
Gross Weight	6.16Kg
Packing Size	765*300*145mm

Product Display

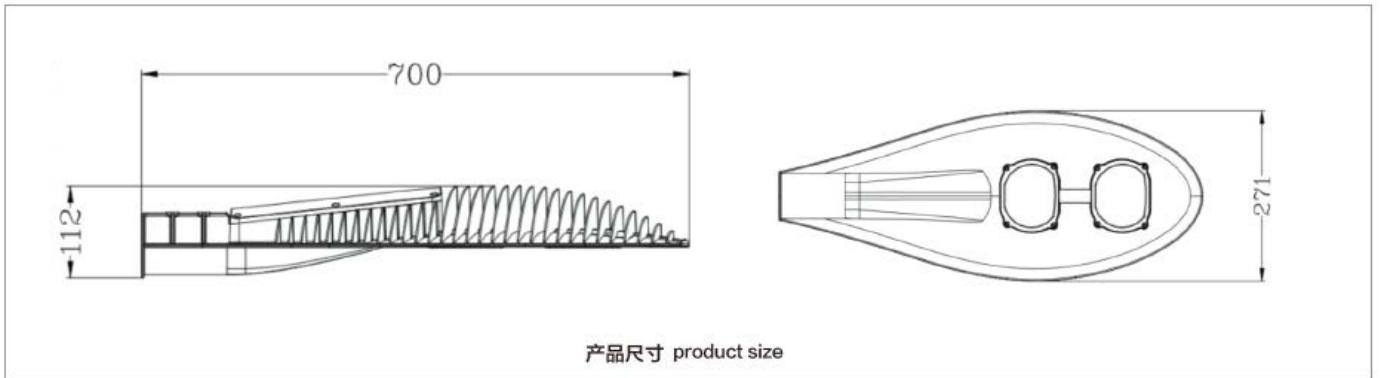
Address: Haicheng Road, Baiguan Industrial District, Shangyu Area, Shaoxing City, Zhejiang province, China; Tel: +861 8267537265, **WhatsApp: +8618267537265**; **Email: sales@seminglighting.com**

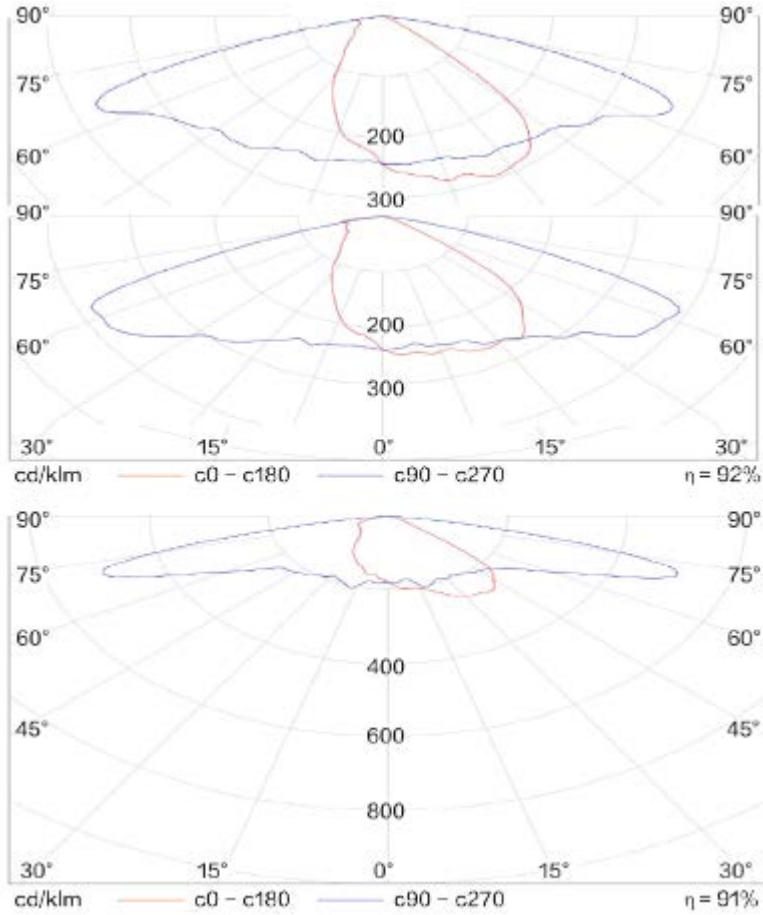


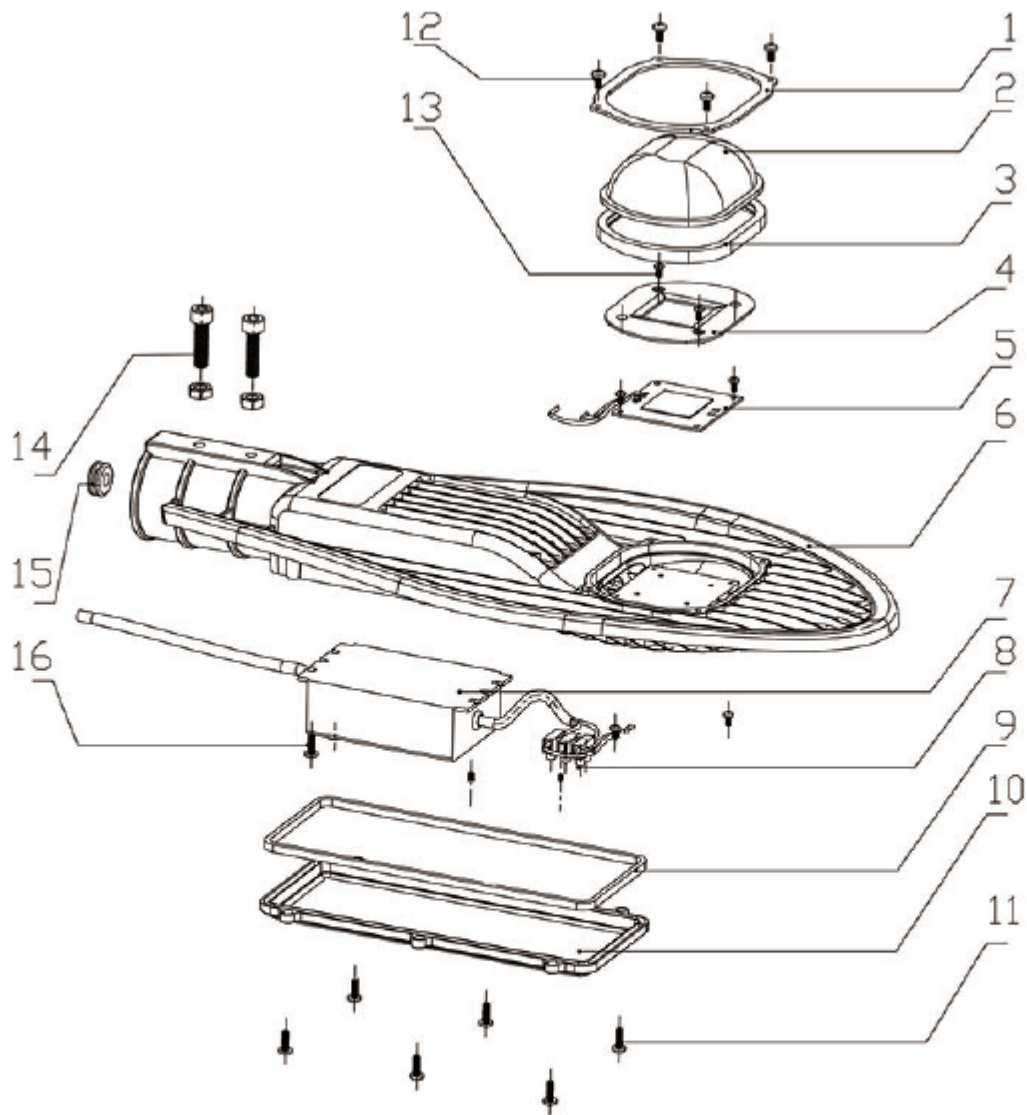
Zhejiang Seming Electronic Co., Ltd



- 双色灰 Double gray
- 黑细沙 Sandy black
- 闪银沙 Silver







1	Clamping ring	9	Back cover gasket
2	lens	10	Back cover
3	Gasket	11	cross recess head screw
4	Plastic board	12	cross recess head screw
5	LED chip	13	cross recess head screw
6	Body	14	Hex socket screw
7	LED driver	15	Pass line plug
8	Terminal blocks	16	cross recess head screw